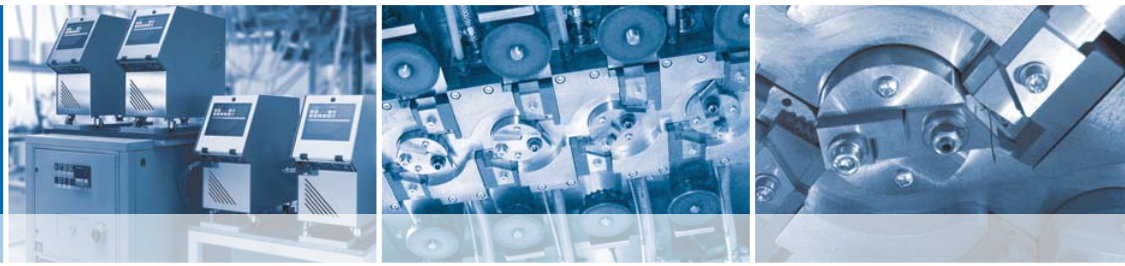
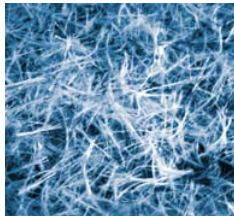


New Technology
FiDoCut



FiDoCut – Fibre Dosing and Cutting System

New solutions for your cutting problems!



■ Chemical and natural fibres are now sliceable

Our new Fibre Dosing and Cutting System (FiDoCut) is especially developed for cutting ductile, chemical and natural fibres which are not sliceable with common cutting systems. Up to now inline process cutting with chemical and natural fibres was not possible. The FiDoCut System offers now possibilities for new recipes and flexible inline cutting with scissor technology for all kind of fibres.



■ Long durability of cutter knives and easy to change

The cutting process is done by special knives following the scissor principle and rotating precise cutting spindles. Every spindle unit can cut up to 6 rovings at the same time.



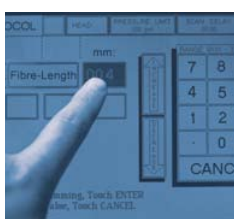
■ Usage of different fibres in one working process possible

The FiDoCut System allows the usage of different kind of fibres at the same time. This enables to achieve new material properties by using inline cut fibre mixtures. Of course bobbins with inside or outside haul-off principles can be used.



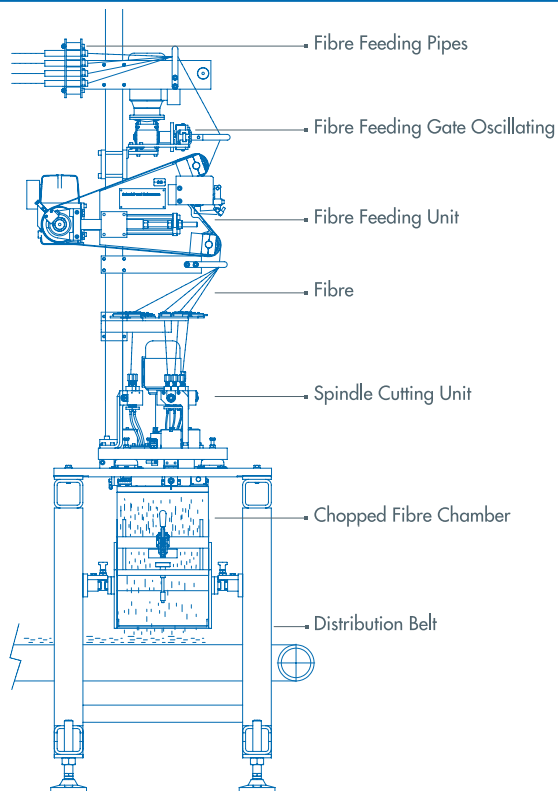
■ Defined spread area possible

Our modular concept allows a variation of working width. Beside cutting into plastic bags we can realize 300 mm with 1 spindle up to 4.000 mm working width with in total 12 spindles. A special designed fibres guidance device ensures a defined distribution area.



■ Fibre length can be changed during the process

The length of the fibres can easily be adjusted by the settings of the electronic operating system. Quantity, length and the sheet weight respectively can be changed by the PLC-system from 1 mm to 1.000 mm. This enables flexibility and new material properties of the final product.



Required details for your FiDoCut System:

1. Kind of fibre and tex weight
2. Kind of bobbin and bobbin weight
3. Required fibre lengths and fibre range
4. Cutting performance for fibre length
5. Working width
6. Mass per unit range/tolerance

Technical Specifications

Working width:

Modular concept starting from 300 mm with 1 spindle up to 4.000 mm with 12 spindles.
Special widths are available on request.

Adjustable fibre length:

Programmable from 1 to 1.000 mm. Fibre lengths are adjustable during the production process.

Fibre feed rate:

up to 240 m/min

Rotation speed of spindles:

up to 12.000 r.p.m.

Schmidt & Heinzmann GmbH & Co. KG
Maschinen & Anlagen

Vichystraße 12 • 76646 Bruchsal • Germany
Tel. +49 7251/38 58-0 • Fax +49 7251/38 58-25
E-Mail: info@schmidt-heinzmann.de
www.schmidt-heinzmann.de

